

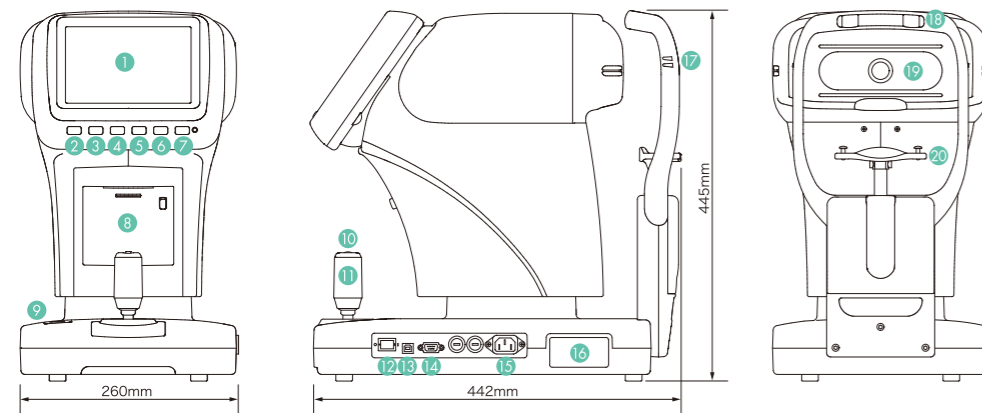
Specification

Refractive Measurement Range	Sphere (S)	-30D~+22D (In case of VD=12) (step: 0.12/0.25D)
	Cylinder (C)	0~±10D (step: 0.12/0.25D)
	Axis (A)	0~180° (1°)
Corneal Curvature Radius Measurement	Corneal Curvature Radius	5.0~10.0mm (step: 0.01)
	Corneal Refractivity	33.75~67.5D (Corneal Refractive n=1.3375) (step: 0.12/0.25D)
	Degree of Corneal Astigmatism	0~±10D (step: 0.12/0.25D)
	Axis Angle	0~180° (step: 1°)
	Refractive Measurement	φ 7.0mm
Vertex Distance	0, 10, 12, 13.5, 15mm	
Minimum Pupil Diameter	φ 2.2 mm	
PD Measurement	Measurement Range 85mm (step:1)	
Measurement Time	Refractive Measurement	approx.0.07sec.
	Corneal Curvature Radius	approx.0.07sec.
Printer	The thermal line printer with auto-cutter (paper width57mm)	
Internal Monitor	7.5inches color LCD monitor (TFT)	
Shifting Range of the Sliding Body	back/forth±16mm	right/left±43mm up/down±12 mm
Vertical Adj. Range of Chin Rest	±30mm	
Dimensions	(W) 260mm (D) 442mm (H) 445mm	
Weight	Approx.16kg	
Data Output	RS-232C interface	
	USB	
Power Source	100~240V	
	50/60Hz	
Consumption	90VA	
Power Saving Function	OFF, 3, 5, 10mins (switchable)	

Standard Accessories

Operation Manual, Model Eye, Power Cord, Printing Paper, Fuse, Chin Rest Paper, Chin Rest Paper Pin, Dust Cover, Filing Software

Parts Identification



- 1 LCD monitor
- 2 Clear switch
- 3 3D auto/manual switch
- 4 Custom switch
- 5 Measurement mode switch
- 6 Menu switch
- 7 Print switch
- 8 Printer
- 9 Chinrest switch
- 10 Jog dial
- 11 Joy stick
- 12 Power switch
- 13 USB connector
- 14 RS-232C connector
- 15 Power plug connector
- 16 Name plate
- 17 Eye mark
- 18 Head rest
- 19 Horizontal scanning window
- 20 Chin rest

Design and specifications are subject to change without notice.

Manufacturer

Rexxam
Rexxam Co.,Ltd.

Kagawa factory
958, Ikeuchi, Konan-cho,
Takamatsu, Kagawa 761-1494, Japan

Contact

MEC Sales Division
2-8-4, Kandatsukasa-machi, Chiyoda-ku
Tokyo, 101-0048, Japan
TEL 81-3-3256-7701 FAX 81-3-3256-7702
E-mail: eye@rexam.co.jp
URL: http://www.rexxam.co.jp
URL: http://www.shin-nippon.jp

Distributed by



CE 0197

"A Human Approach to Design and Comfort"

Full Automatic & Manual Hybrid Concept

The Next Generation Auto Refkeratometer

ACCUREF-K
9003D

Next Generation Hybrid Concept Auto Refkeratometer

Full Auto/Manual-Hybrid Alignment

High dimensional integration of manual operation based under ergonomic designing and high accuracy Automatic 3D auto alignment. Faster operation speed that surpasses full automatic type.

7.5 inch TFT monitor

Bigger, better monitor, icon-display menu for easier operation and settings.



FUNCTION	SELECT
START	ON
STOP	OFF
PRINT	ON
RESTART	ON
MODE	ADULT
MODE	CHILD
MODE	MANUAL
MODE	TYPE A
MODE	TYPE B
MODE	TYPE C
MODE	TYPE D
MODE	TYPE E
MODE	TYPE F
MODE	TYPE G
MODE	TYPE H
MODE	TYPE I
MODE	TYPE J
MODE	TYPE K
MODE	TYPE L
MODE	TYPE M
MODE	TYPE N
MODE	TYPE O
MODE	TYPE P
MODE	TYPE Q
MODE	TYPE R
MODE	TYPE S
MODE	TYPE T
MODE	TYPE U
MODE	TYPE V
MODE	TYPE W
MODE	TYPE X
MODE	TYPE Y
MODE	TYPE Z

Tilt Screen

Tilt screen function that allows wide variance of access whether the operator is sitting or standing.



Joystick & Jog-dial

Modified joystick & jogdial that allows the operator to control the unit with better, precise and instinctive movement.



Auto Standby & Automatic 3Dimensional Alignment Function

Auto standby mode when turned on, auto alignment function enables even inexperienced users to take the measurement in an instant.



L/R Auto Movement

After measurement is taken for one eye, ACCUREF-K 9003D will automatically shift over to begin measurement for the other eye.

Auto Printer w/ built-in cutter

When the examination is complete, the readings are automatically printed. The built-in cutter will operate automatically to easily pull out the paper.

(Print form select: All)

Message Area	
No.	00001
NAME	2008 10 01 12:00
Date & Time	
<R>	SPH CYL AX
	-4.75 -0.25 62
	-4.75 0.00
	-4.75 0.00
Representative Value	-4.75 0.00
<R>	mm D AX
R1	7.59 44.50 120
R2	7.57 44.50 30
Ave	7.58 44.50
CYL	0.00
Kerato Value	
<L>	SPH CYL AX
	-4.50 -0.75 90
	-4.50 -0.75 90
	-4.50 -0.75 89
Representative Value	-4.50 -0.75 90
<L>	mm D AX
L1	7.59 44.50 120
L2	7.57 44.50 30
Ave	7.58 44.50
CYL	0.00
Kerato Value	
PD=64	
Pupil Distance	
SHIN-NIPPON ACCUREF-K9003D	



NEW

Horizontal Scanning Window

New feature "Horizontal Scanning Window" only moves the built-in camera window within the unit which gives patients comfortableness and pressure-free atmosphere. For the operator, safe and precise measurement.



Compact & Silent

Extremely compact designing and incredibly quiet movement sound (less than 40 db).
*In-House Testing Result

Motorized ChinRest

Operator can easily adjust the chinrest with the switch located on the operator side and enables speedy reading.

Human Friendly Design

Form and design that gives comfortable atmosphere from child to elder.
Soft, smooth texture that gives warm impression.
Easy and comfortable examination from beginning to end for both patient and the operator.

Other Features

Photo Mode

Color photo shot for the front eye. Beneficial for informed consent.



Adult/Child Mode

For consecutive examination in groups, ACCUREF-K 9003D has a feature to change adult/child mode to adjust the pupil distance travel.



External Output, Enclosed Software

ACCUREF-K 9003D holds RS-232C and USB port for an access to your PC. Also, reading data filing software is enclosed with the product.



Easy Paper Installation

Paper can easily be installed or replaced by opening the front cover and inserting the paper.

